

Chatsworth Garden Gazebo

Approx. Dim.

450 L x 390 W x 289.5 H cm / 177.2" L x 153.5" W x 114" H

 **Wind Resistant**
90 km/hr
55 ml/hr

 **Snow Load**
120 kg/m²
25 lbs/ft²

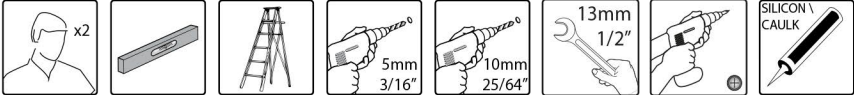


the
canopyshop

T: 0345 241 7182

E: sales@thecanopyshop.co.uk

W: www.thecanopyshop.co.uk



IMPORTANT

Please read these instructions carefully before you start to assemble this product.
Please carry out the steps in the order set out in these instructions.
Keep these instructions in a safe place for future reference.

» Care & Safety Advice

- Please follow the instructions as listed in this manual.
- Sort the parts and check against the contents list.
- For safety purposes we strongly recommend the product to be assembled by at least two people.
- Some parts have metal edges. Please be careful when handling components. Always wear gloves, shoes and safety goggles during assembly.
- Do not attempt to assemble the Gazebo in windy or wet conditions.
- Dispose of all plastic bags safely – keep them away from children's reach.
- Keep children away from the assembly area.
- Do not attempt to assemble the Gazebo if you are tired, have taken drugs, medications or alcohol, or if you are prone to dizzy spells.
- When using a stepladder or power tools, make sure that you are following the manufacturer's safety advice.
- Do not climb or stand on the roof.
- Heavy articles should not be leaned against the poles.
- Keep roof and gutters clear of snow, dirt & leaves.
- Heavy snow load on roof can damage the Gazebo making it unsafe to stand below or nearby.
- This product was designed to be used mainly as a Gazebo.

If color was scratched during assembly it can be fixed with the following tint:
Grey – RAL 7012

» Cleaning Instructions

In order to clean the Gazebo, use a mild detergent solution and rinse with cold clean water.

Do not use acetone, abrasive cleaners, or other special detergents to clean the panels.

» Tools & Equipment

T001(Supplied)

**Attention**

- Please note you install the panels with the UV protected side out (marked with "THIS SIDE OUT") and peel the film strip covering the panels.
- Screws and plugs are not supplied.
- Please tighten all screws when completing assembly.
- Anchoring this product to the ground is essential to its stability and rigidity. It is required to complete this stage in order for your warranty to be valid.



When encountering the information icon, please refer to the relevant assembly step for additional comments and assistance.

» During Assembly

During assembly use a soft surface below the parts to avoid scratches and damages.

Step 8: Optional - if you wish to add curtains / mosquito netting - Please thread the plastic clips through the rail in each profile. (Curtains / mosquito netting are not supplied).

Add clips according to the specific quantity of curtain rings.

Step 10: It is recommended to use a carton or other soft material under the lowered corner in order to avoid scratches and peeling of paint.

Steps 10a+12a: Please note that screws insertion should be done from the outside.

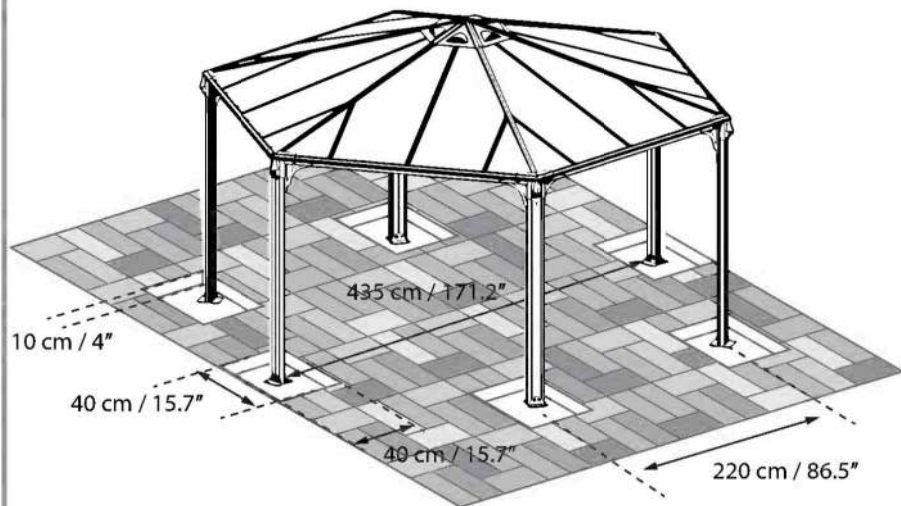
Steps 11+13: Please note that screws insertion should be done from the bottom up. Afterwards please use the tool **T001**.

Step 14: Please add silicone on the inner area of part **#8030** as illustrated.

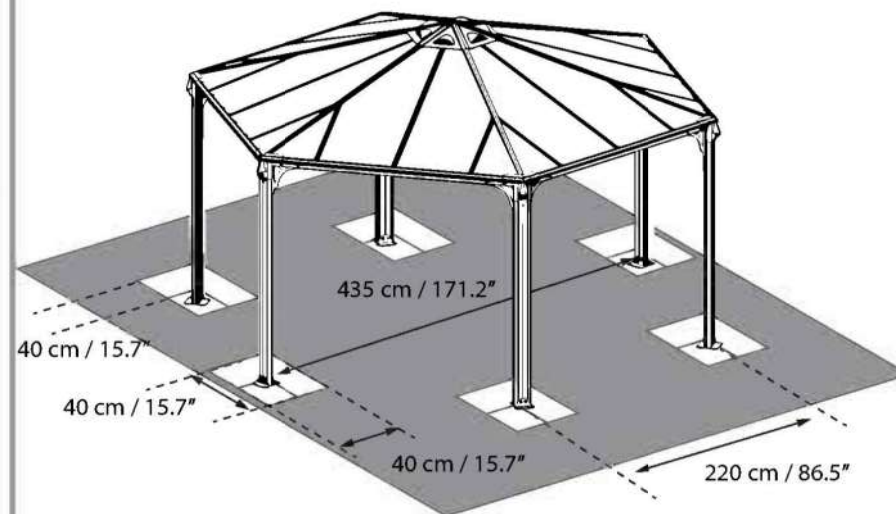
Step 20: Please drill holes in the panels, parallel to the holes in profiles **#7663**.

Step 21: Please level the profiles' legs and adapt screws and plugs to your specific ground type.

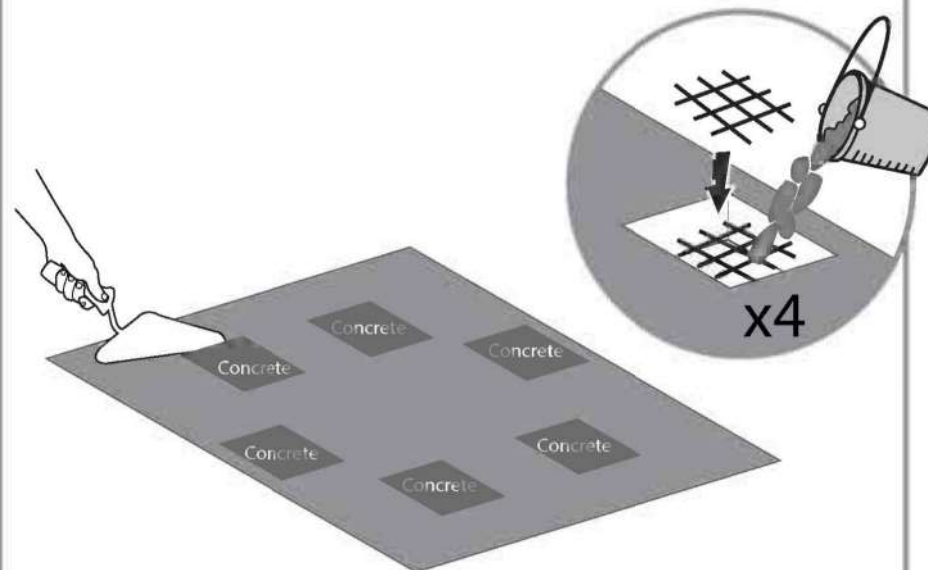
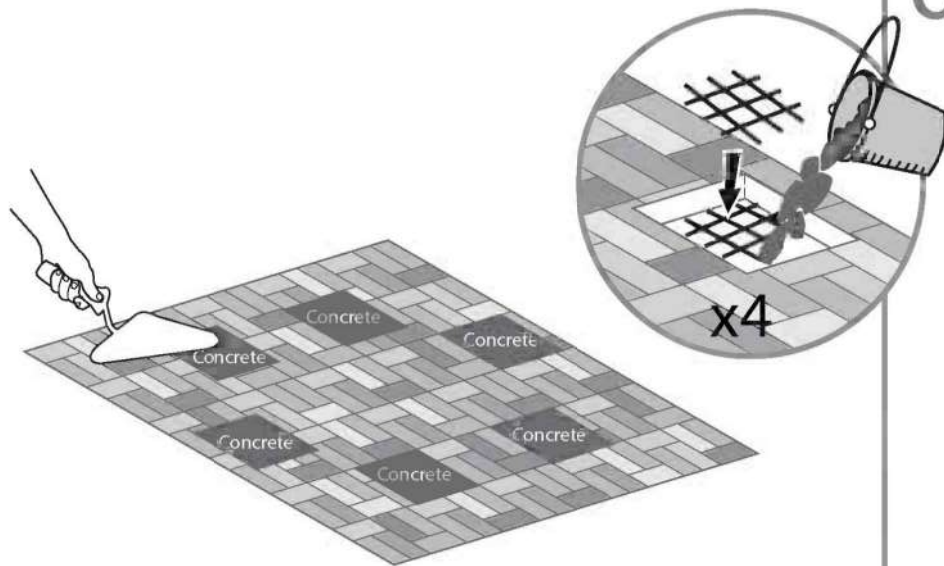
Pavement Stone







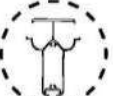

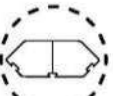
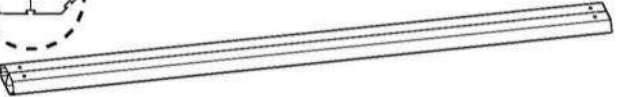


Asphalt / Soil

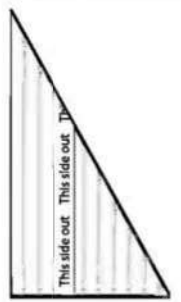
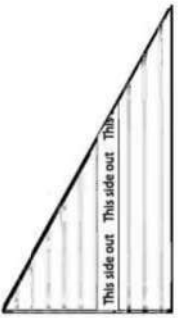
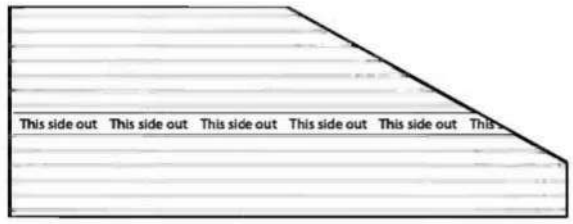
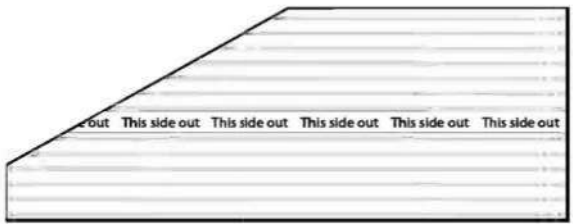


OR

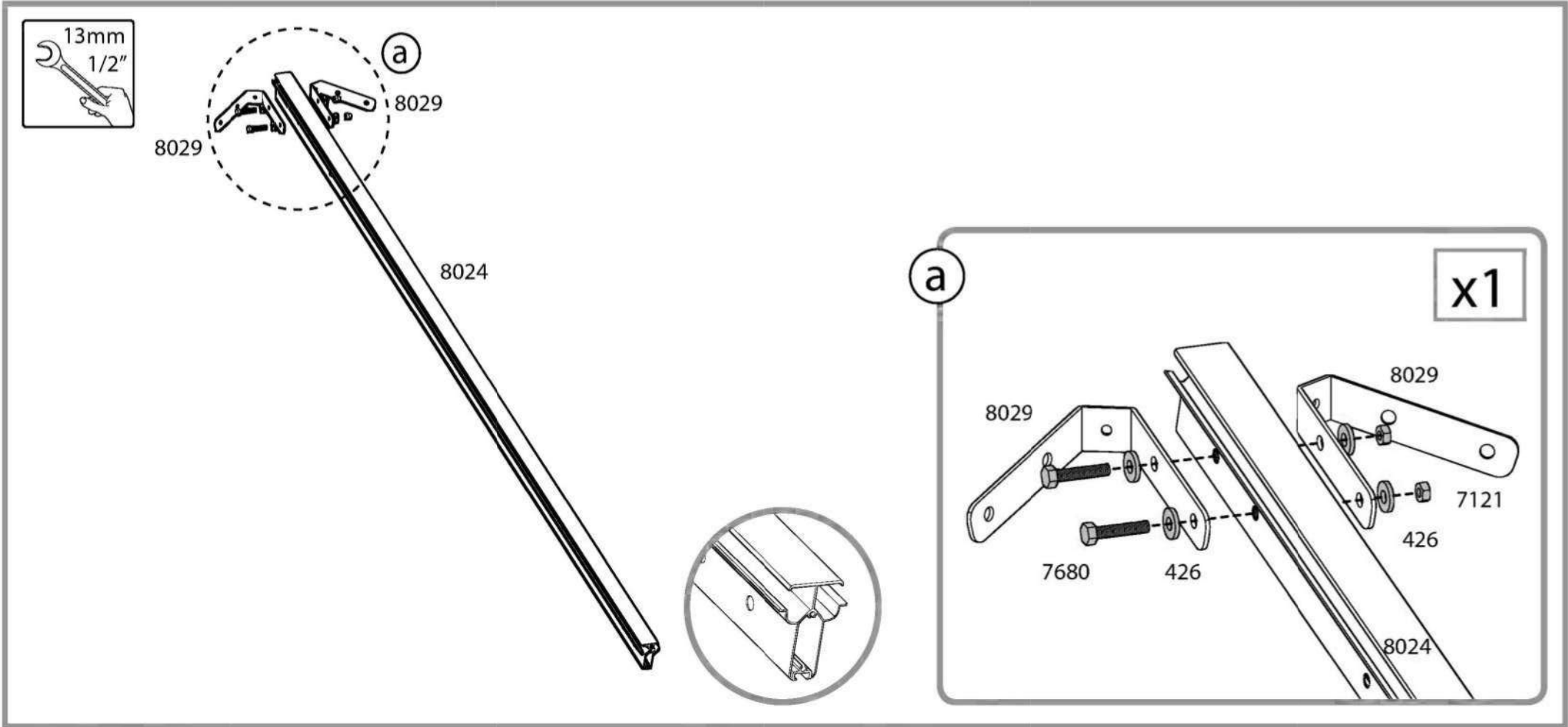
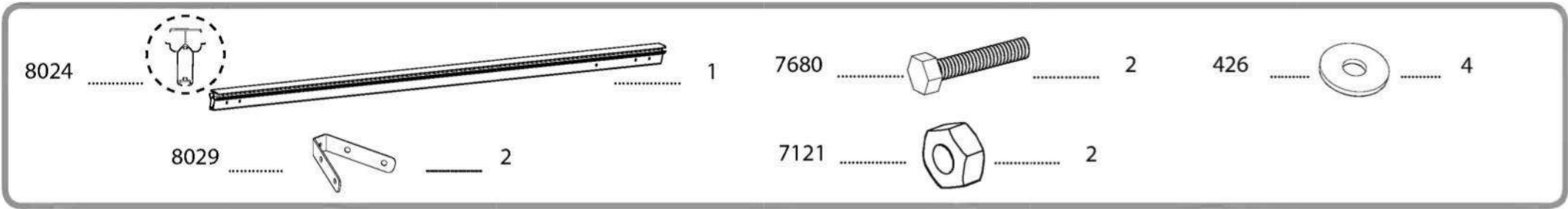


Contents

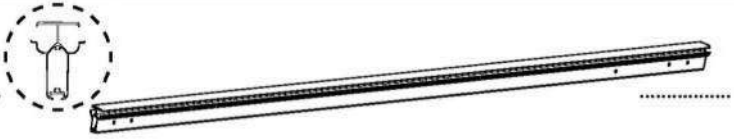


Item		Qty.
8023	 	6
8021	 	6
8024	 	6
7664	 	6
8022	 	12

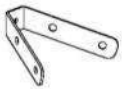

Item		Qty.
8034		6
8035		6
8033		6
8032		6

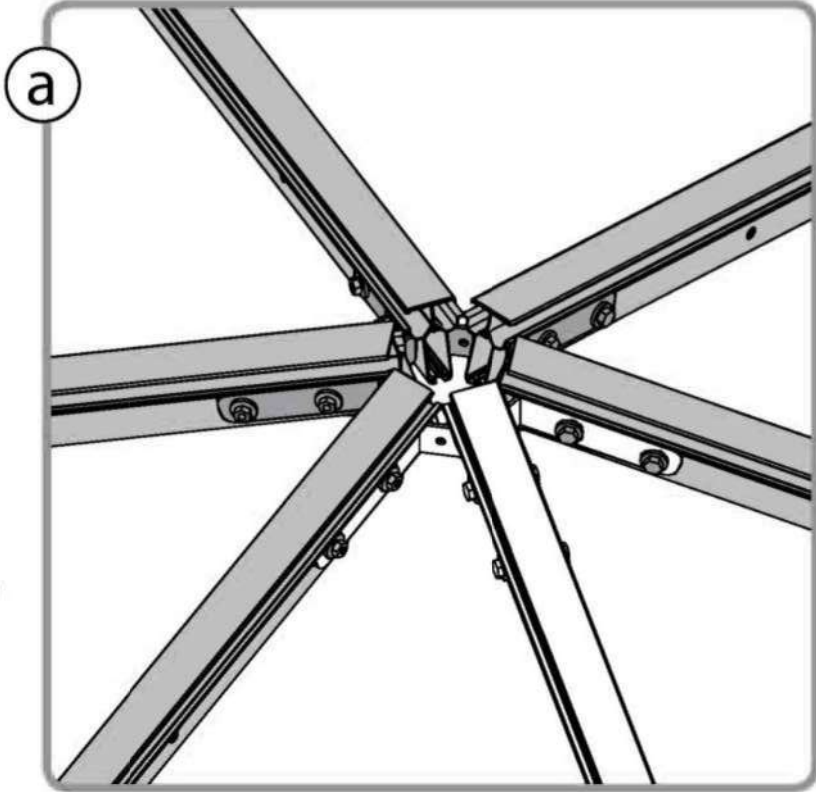
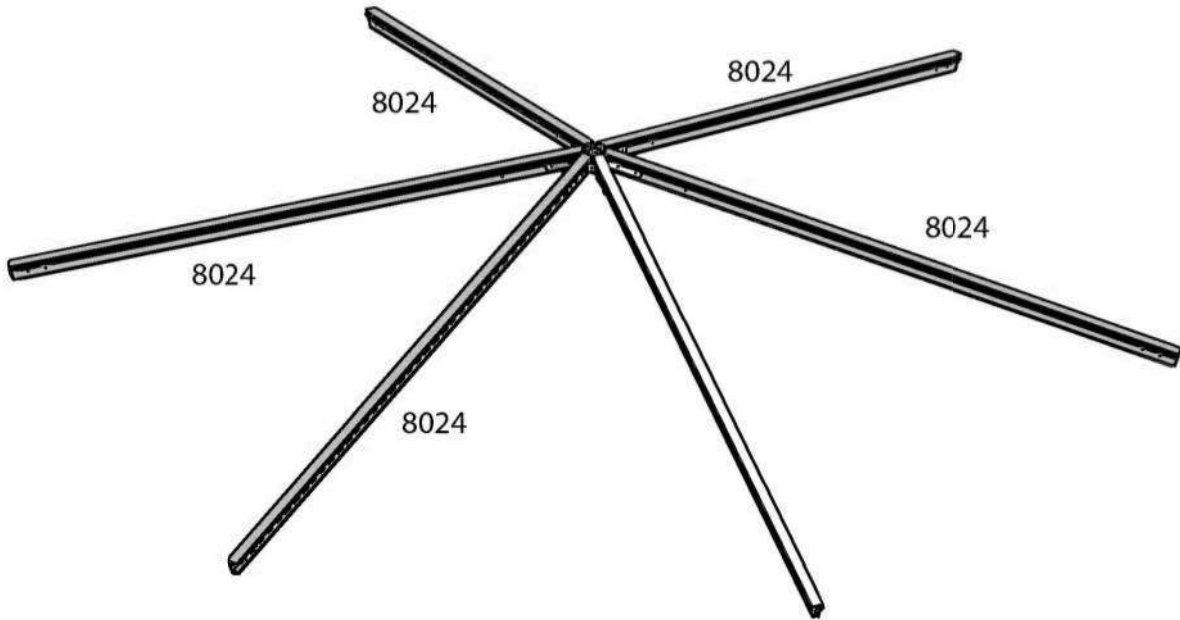
1



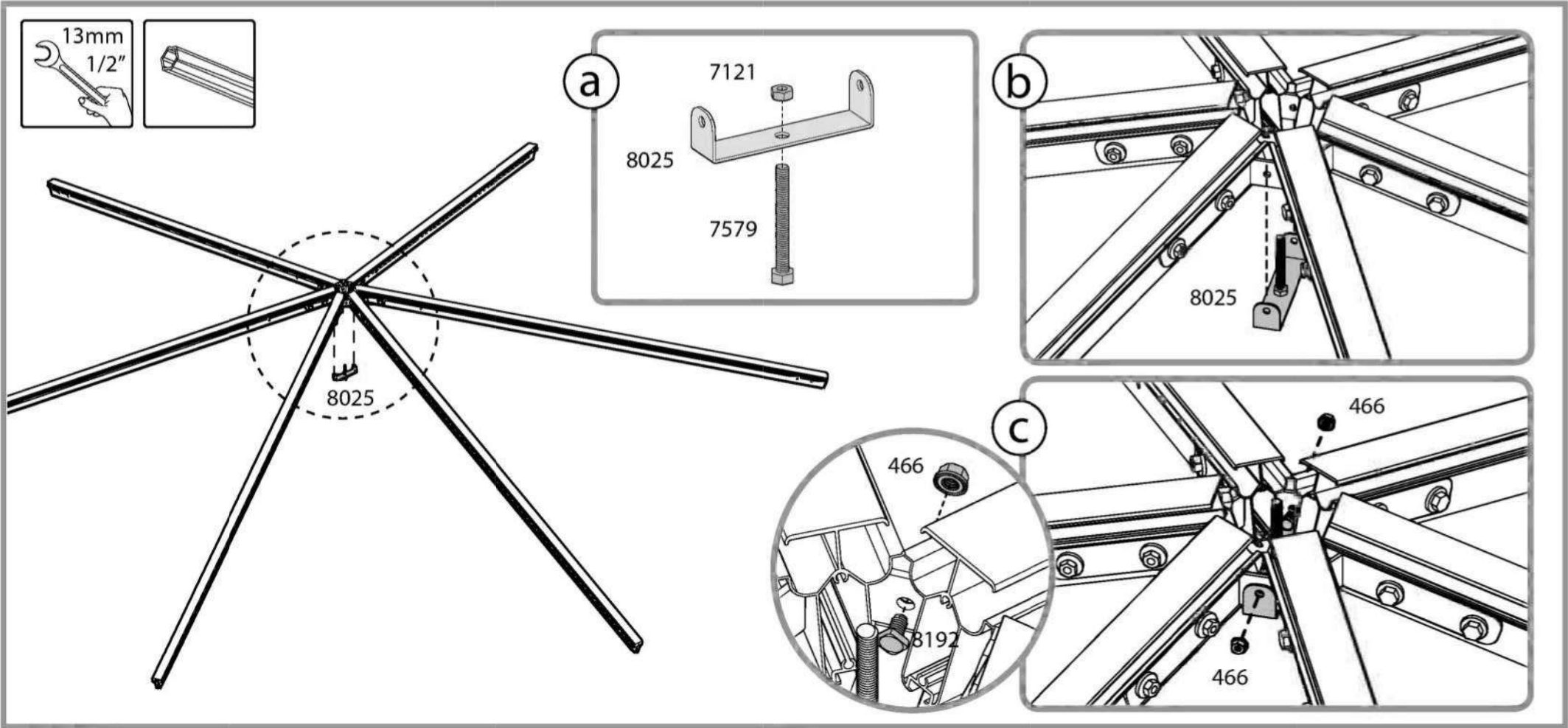
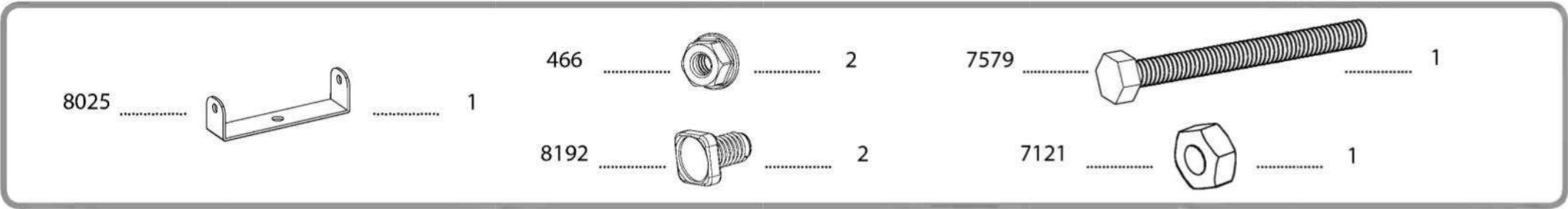
2







8024  5 7680  10 426  20

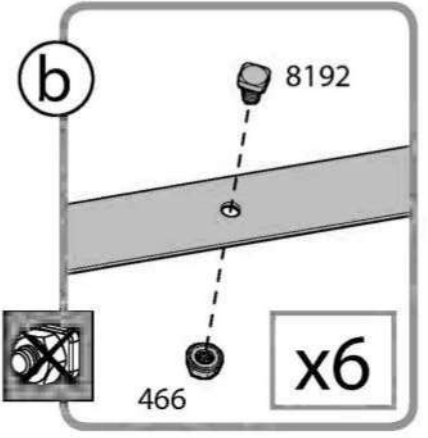
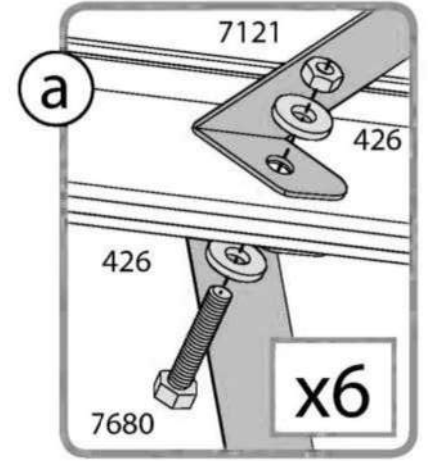
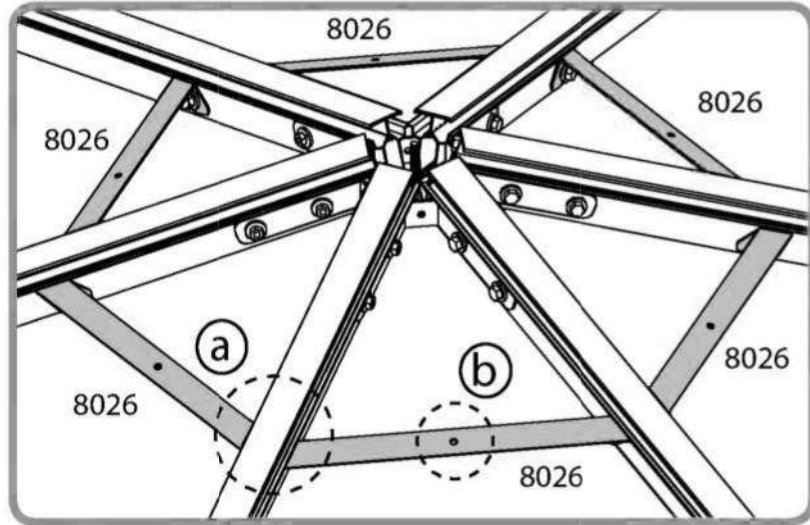
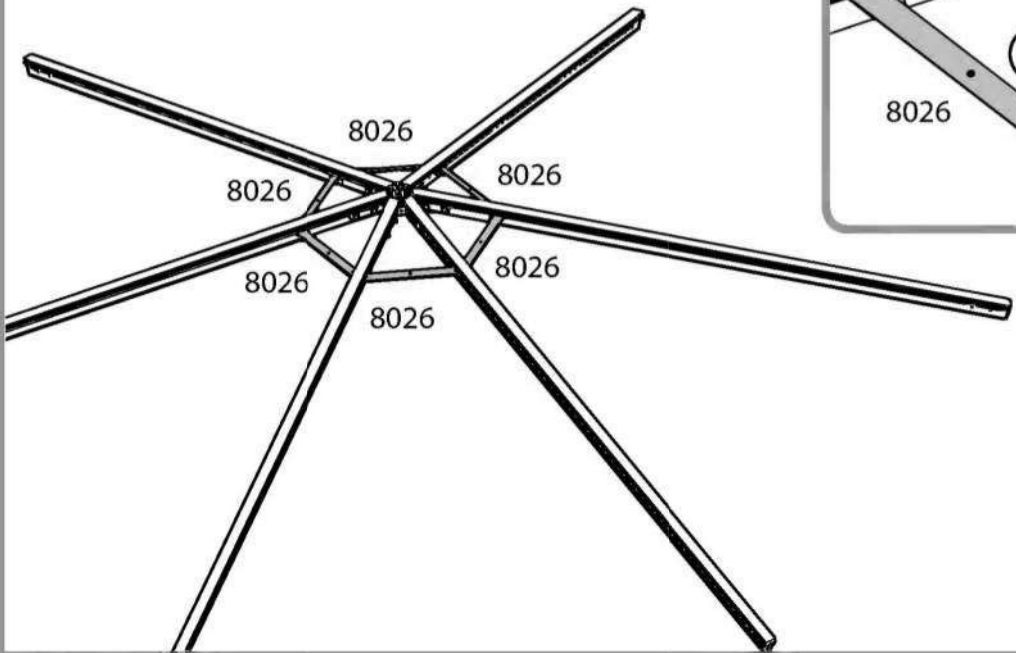
8029  4 7121  10



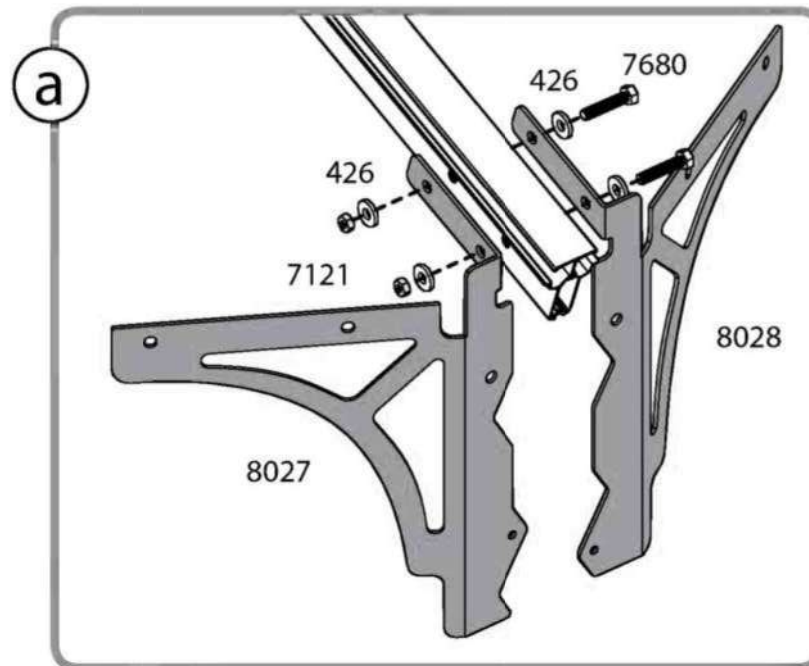
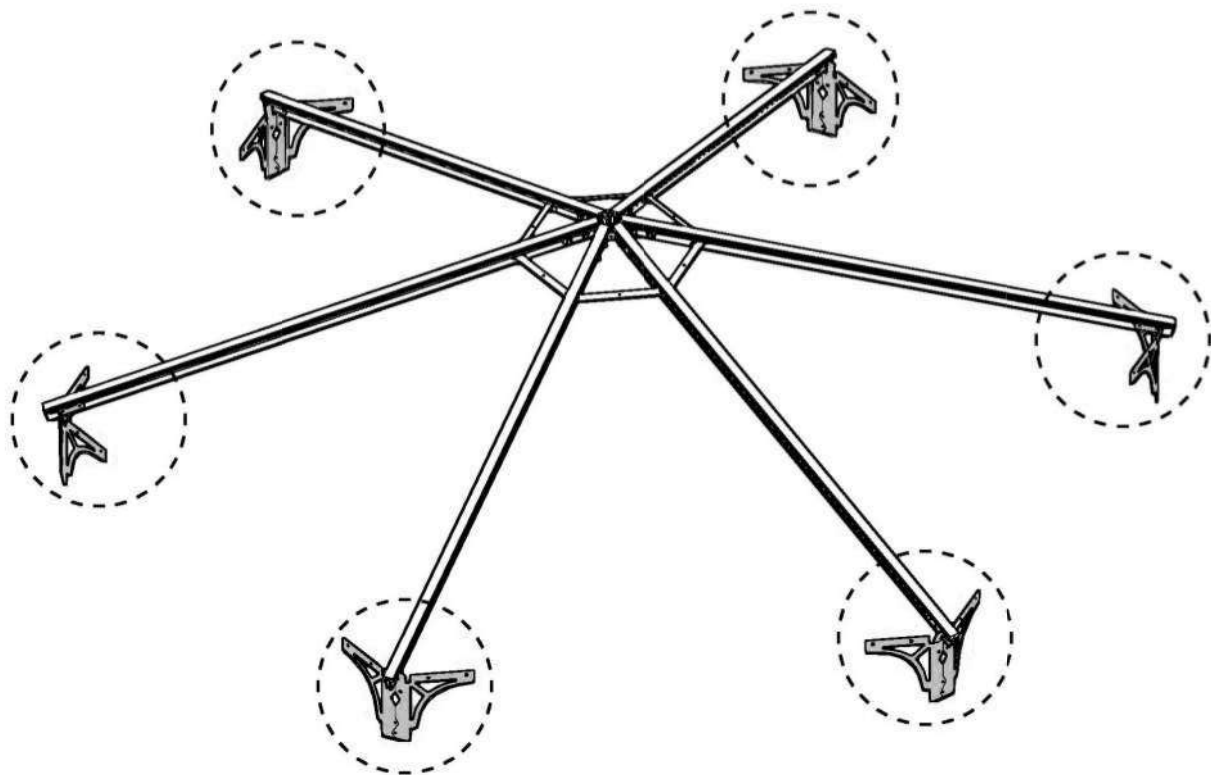
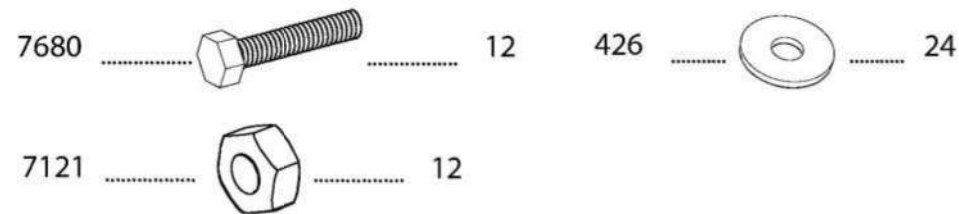
3

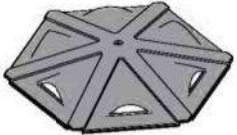

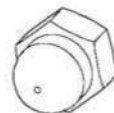




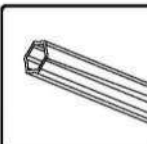
- | | | |
|------|---|----|
| 8026 |  | 6 |
| 466 |  | 6 |
| 7680 |  | 6 |
| 426 |  | 12 |
| 8192 |  | 6 |
| 7121 |  | 6 |

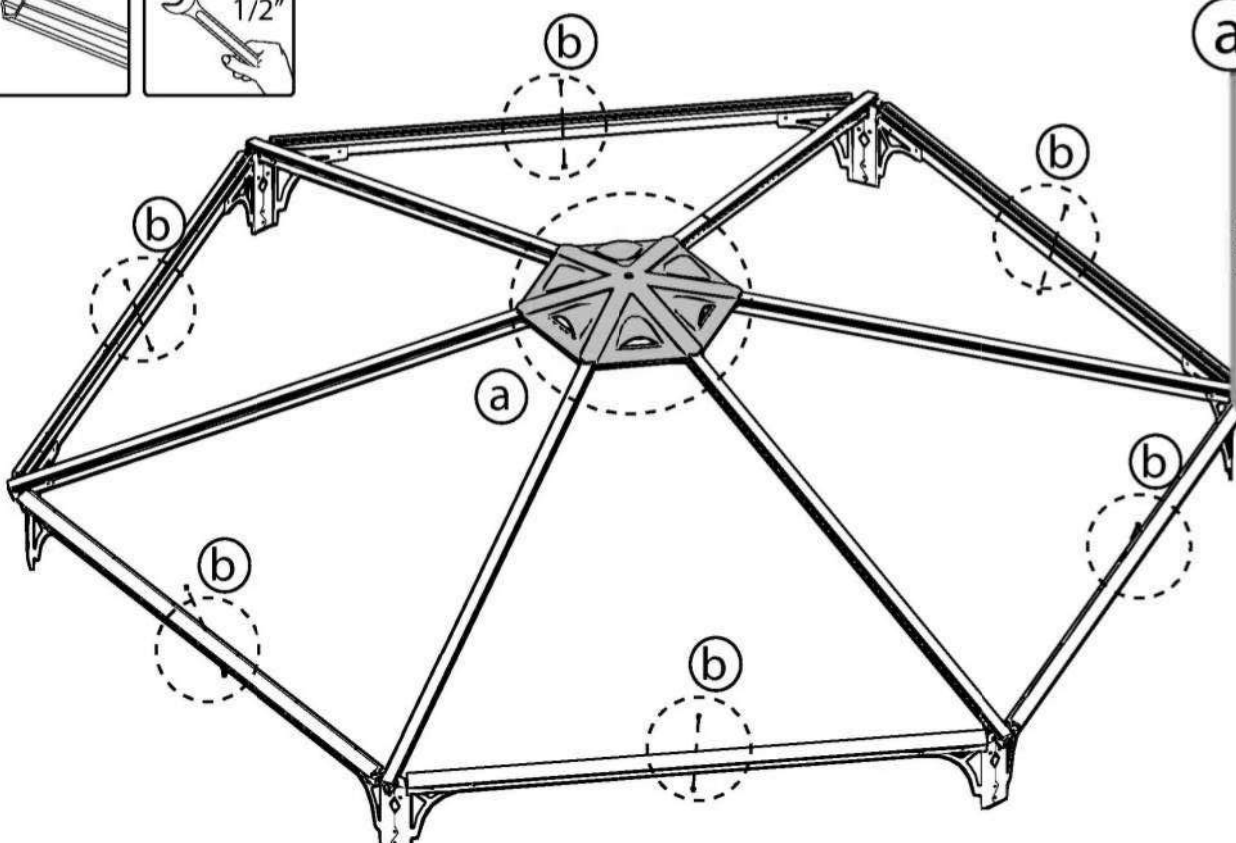


5

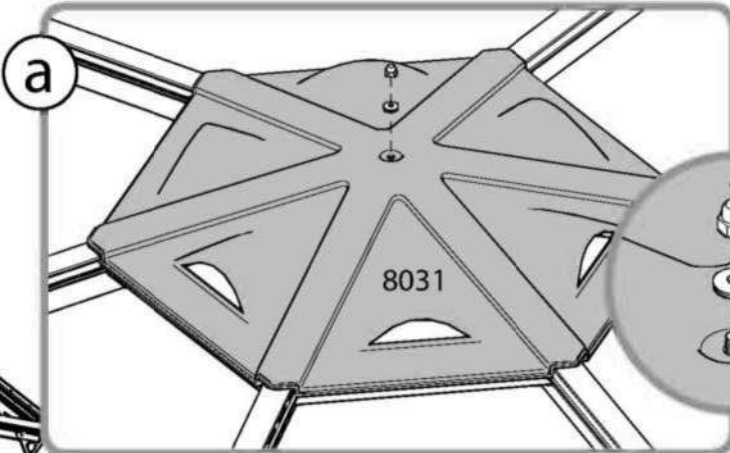


8031	 1
466	 6
414	 1
8192	 6
8082	 1

 13mm 1/2"



a

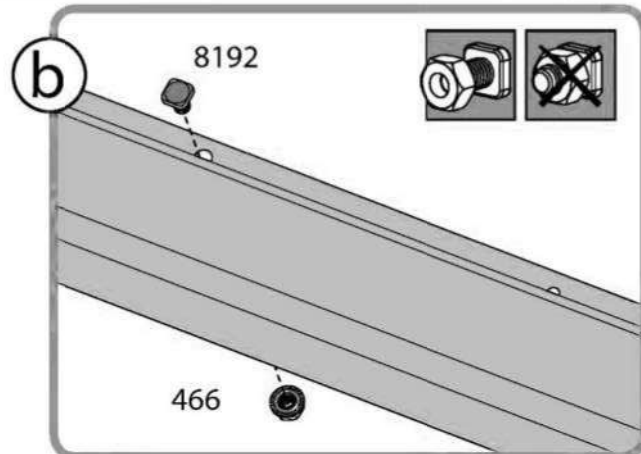


8031

414

8082

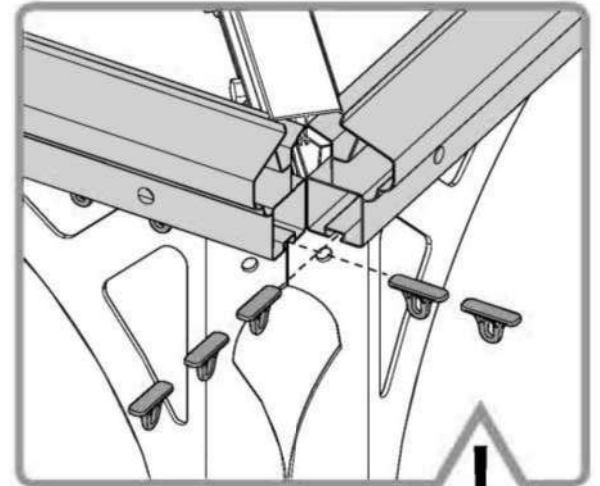
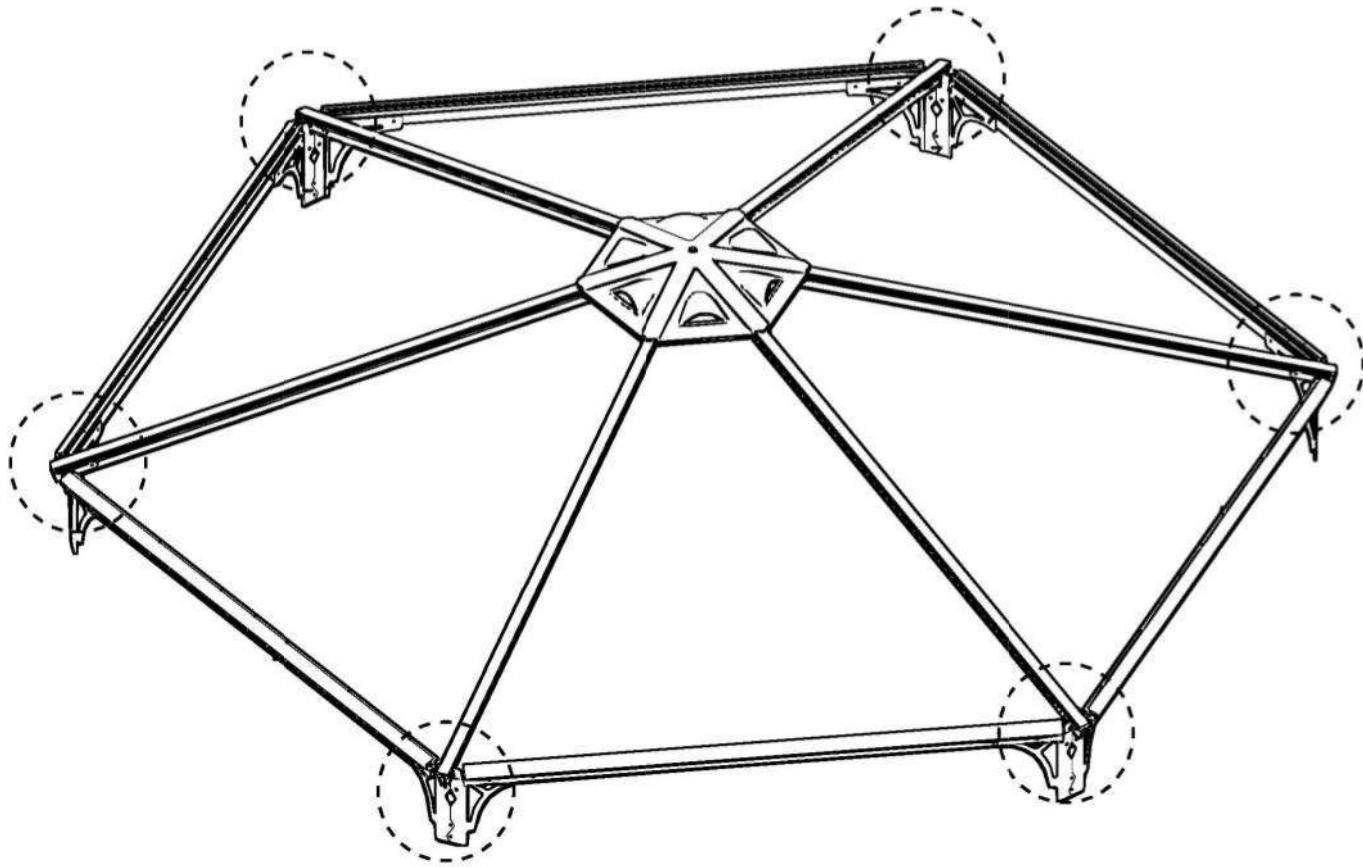
b



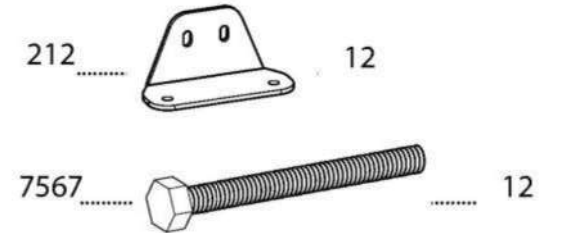
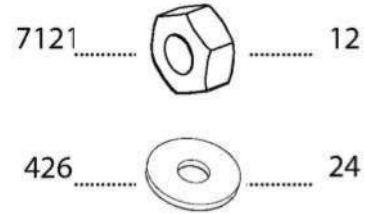
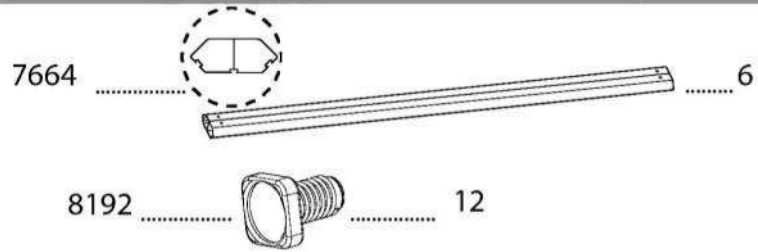
8192

466

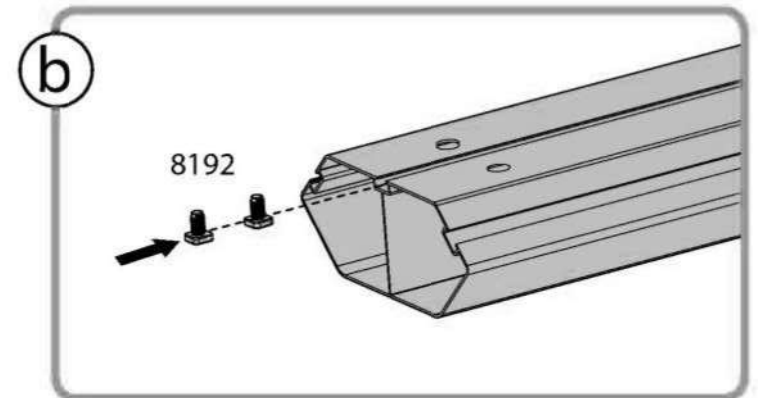
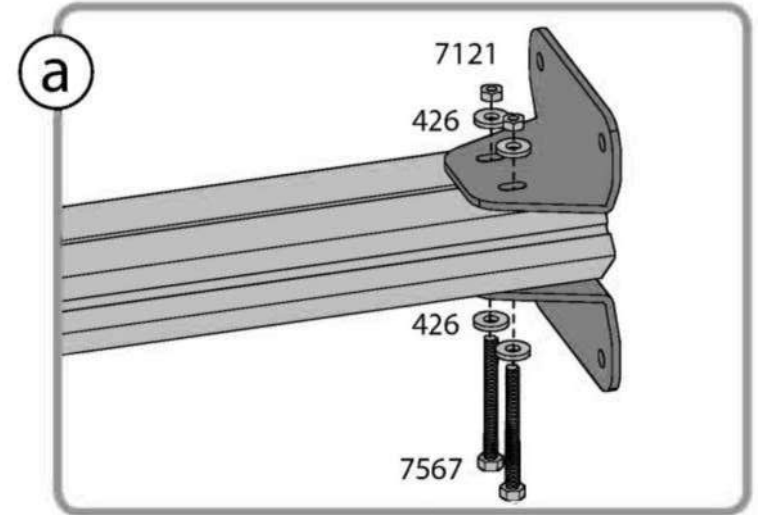
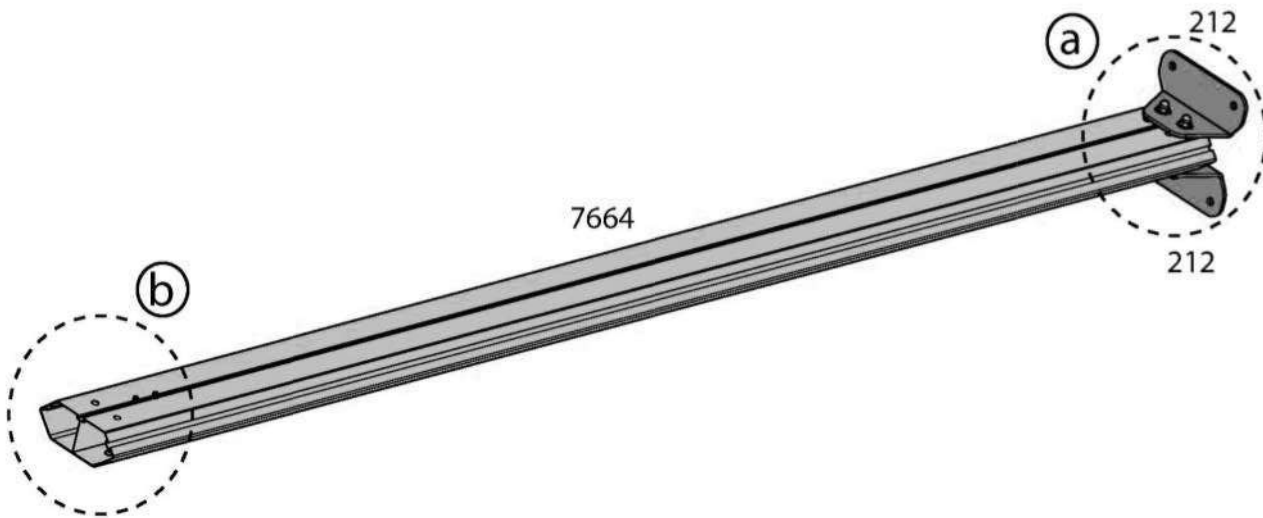
7829 40



Option

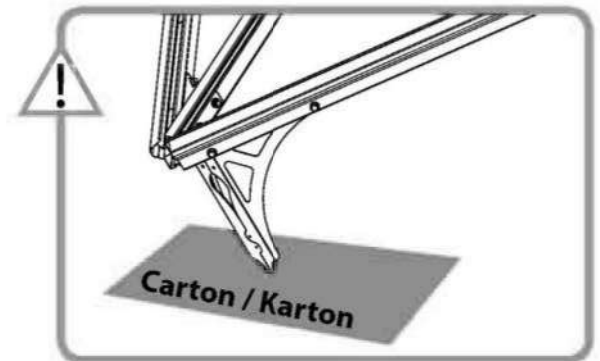
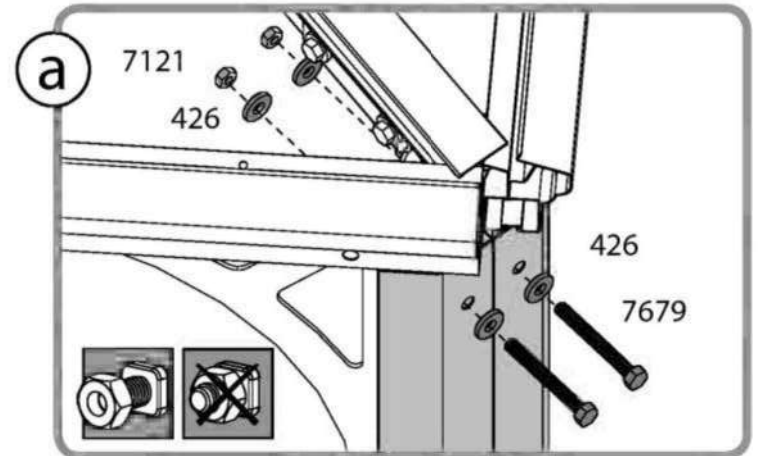
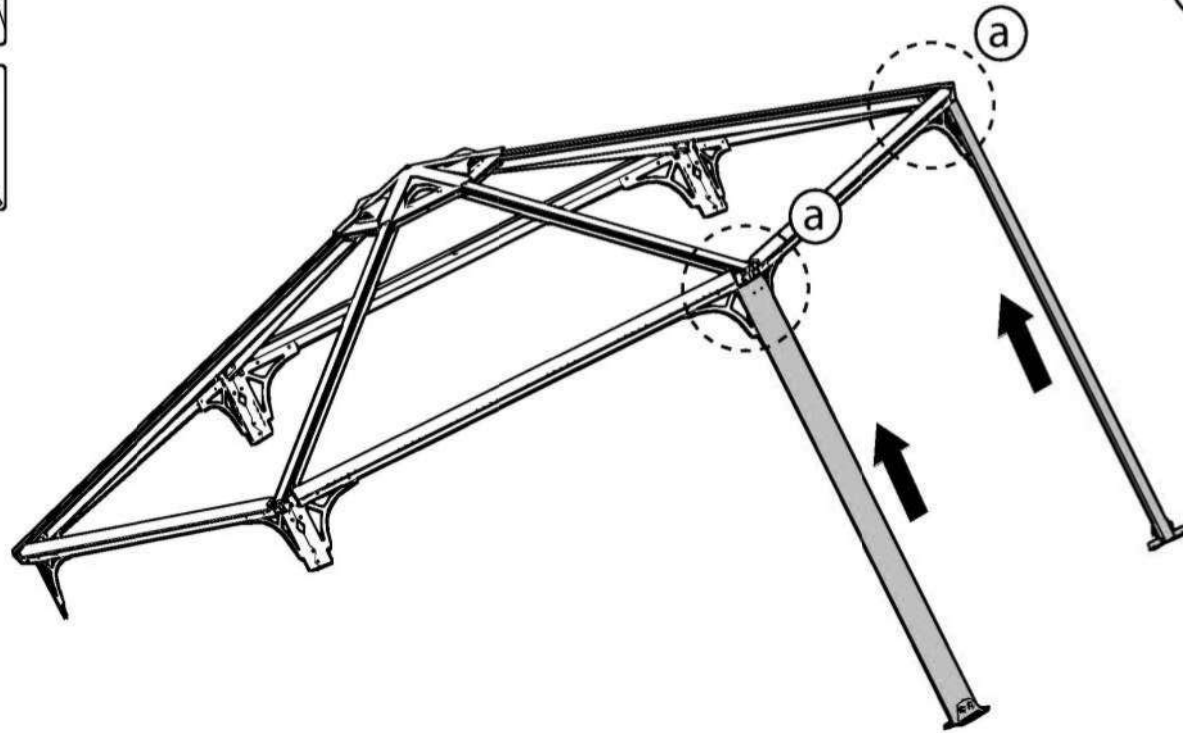


x6

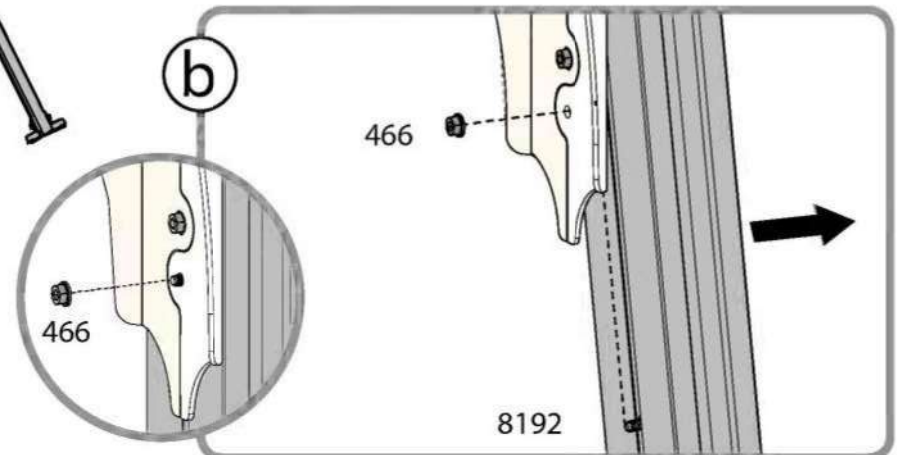
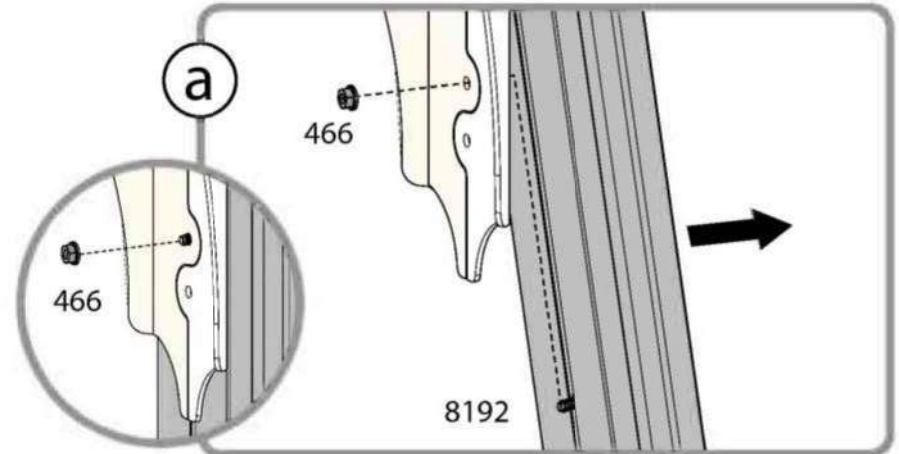
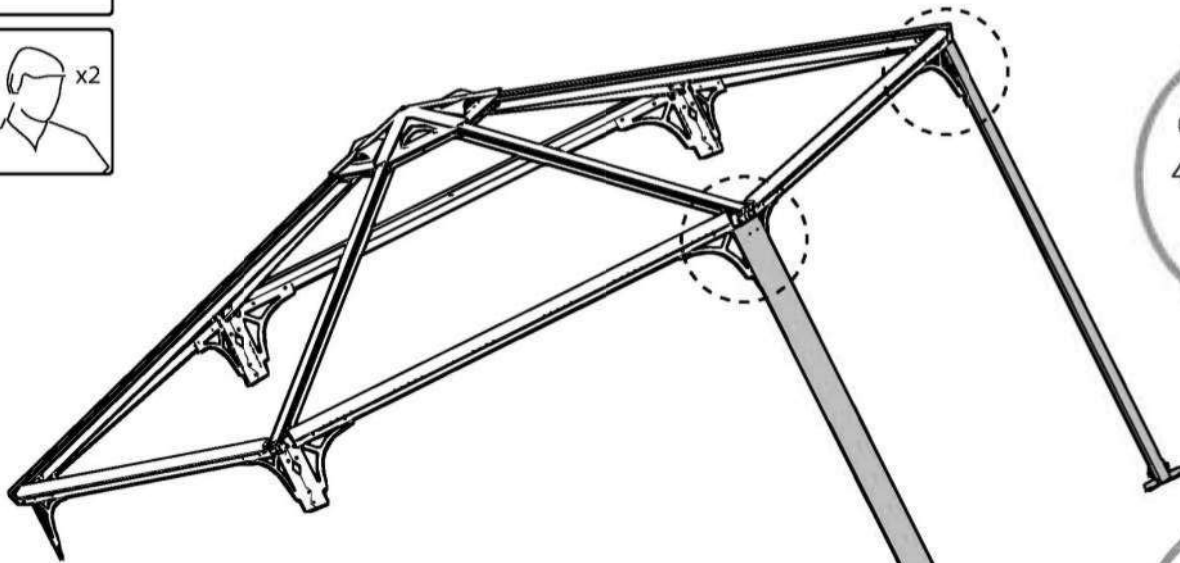
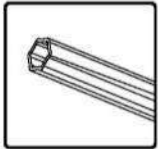


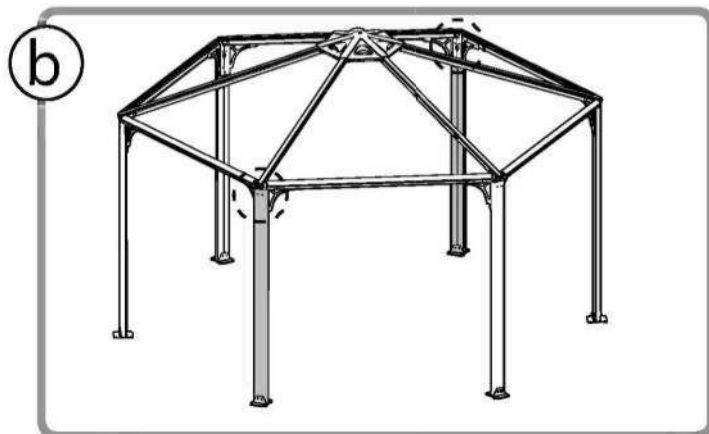
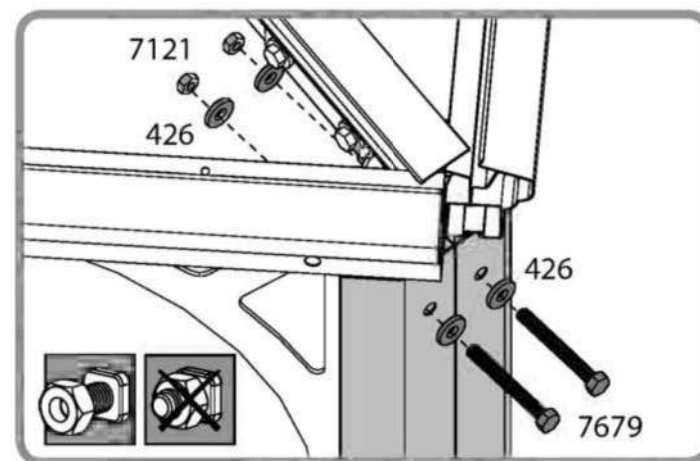
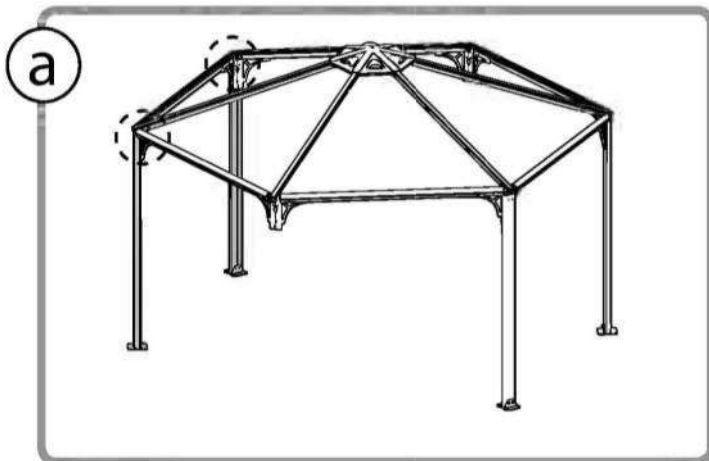
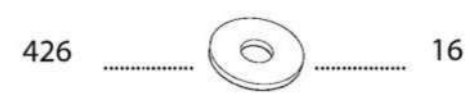
10 **i**

- 7679  4 7121  4 426  8

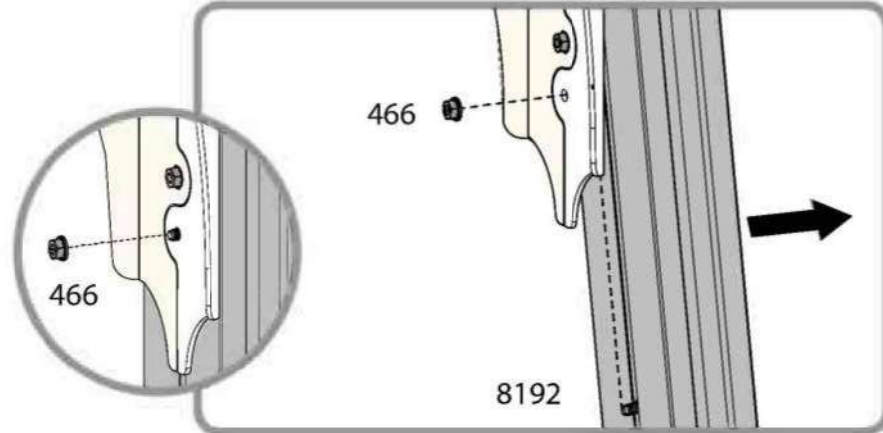
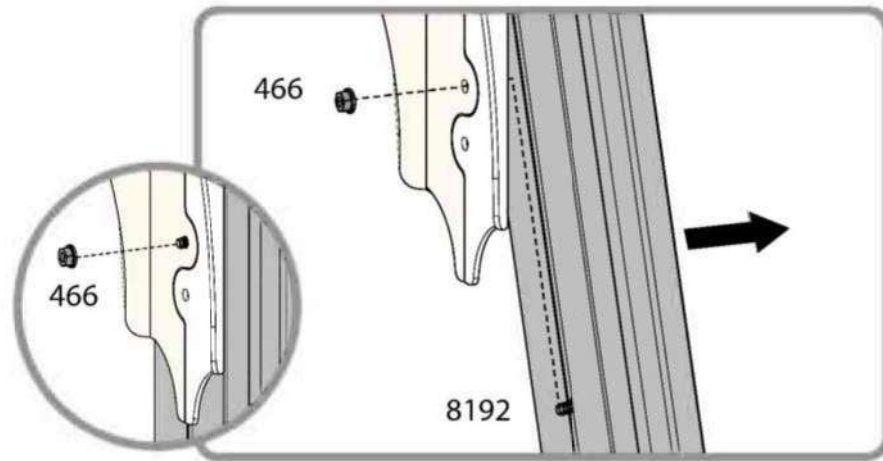
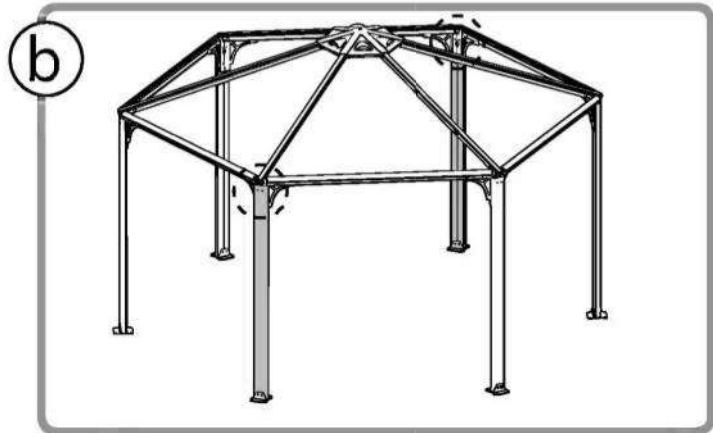
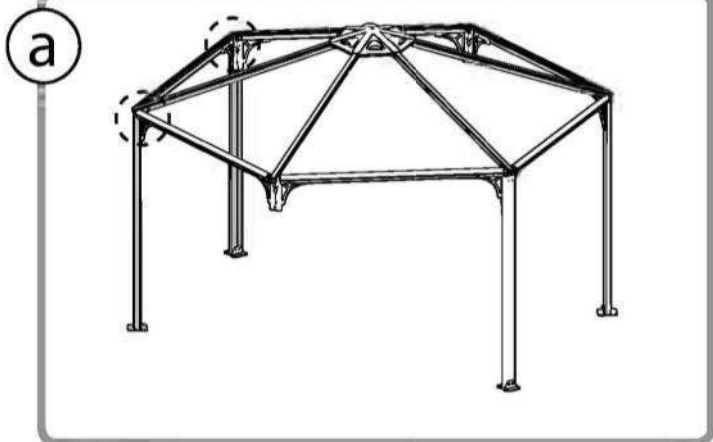
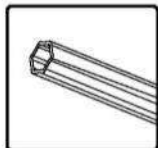


466  4

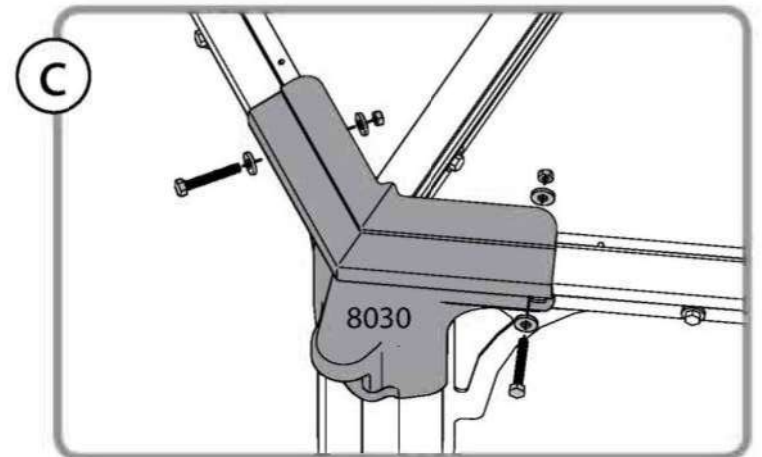
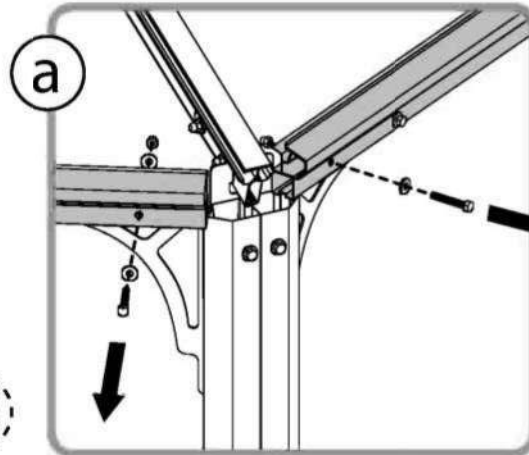
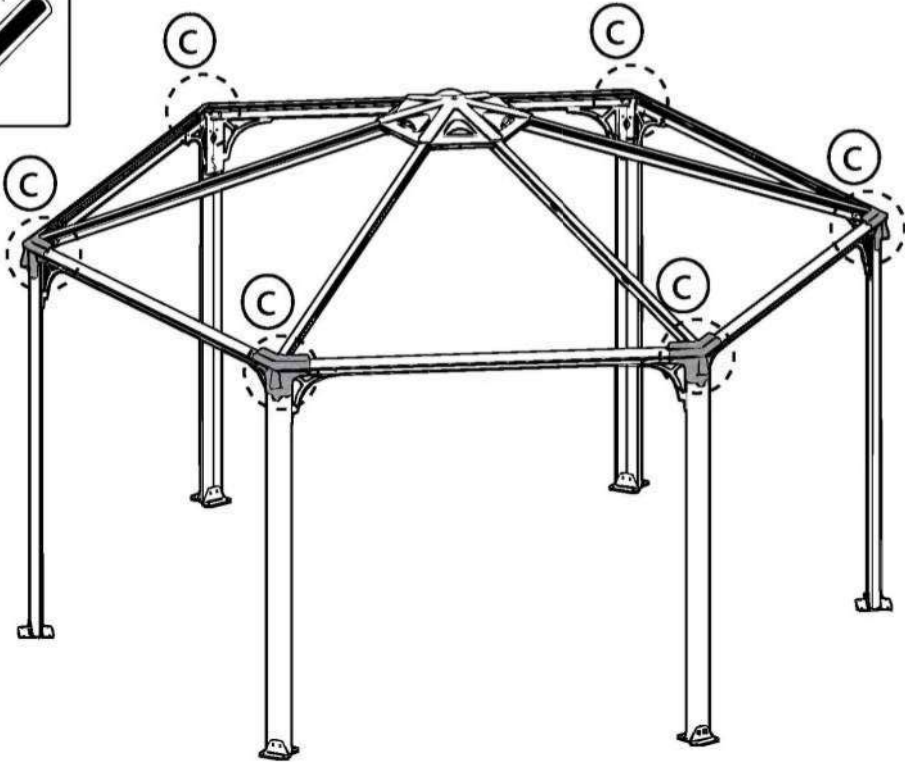


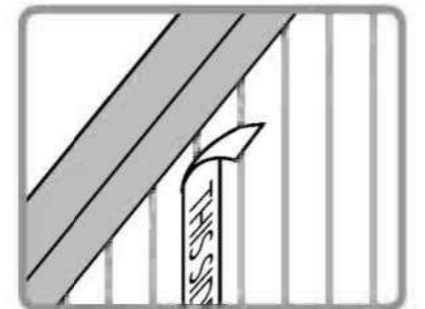
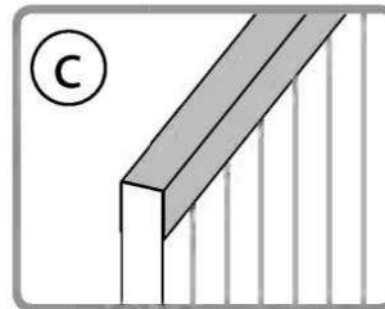
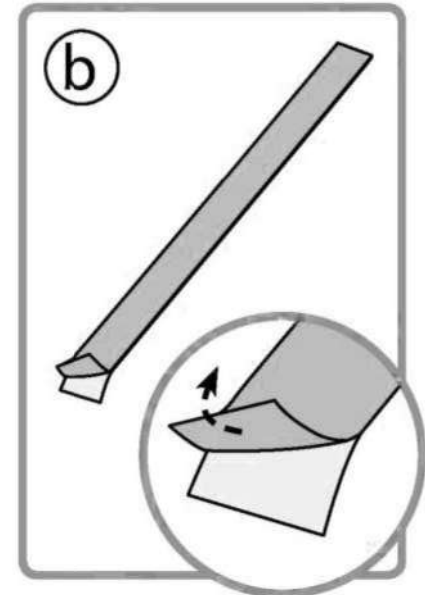
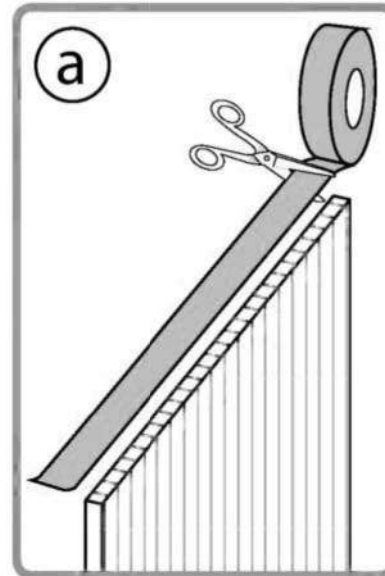
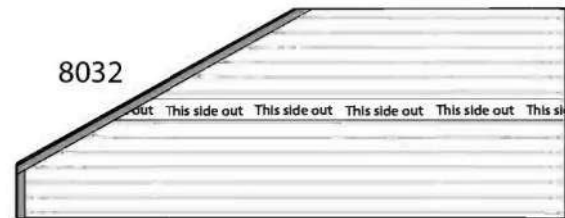
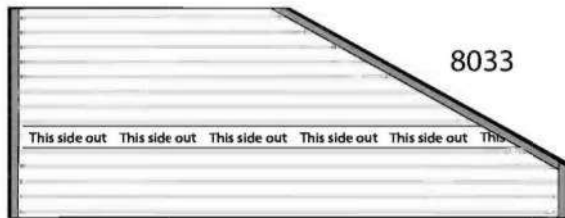
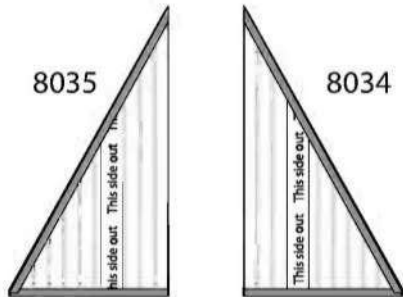
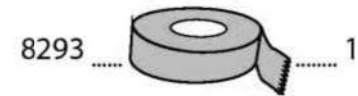
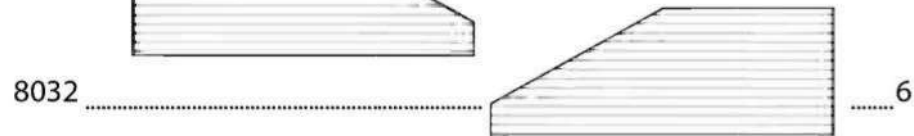


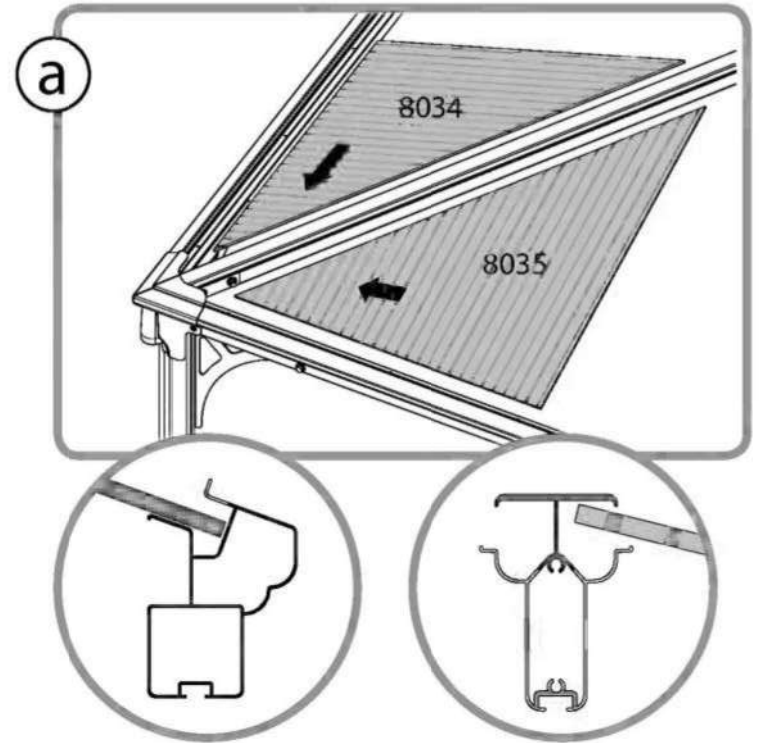
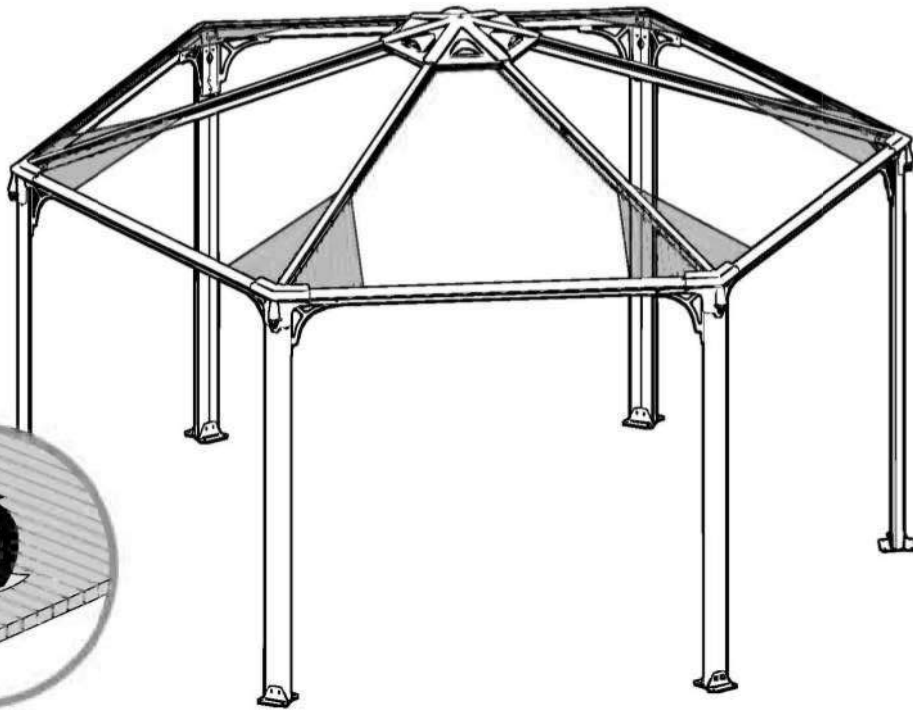
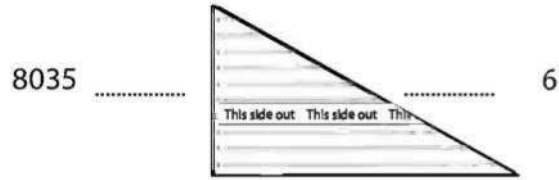
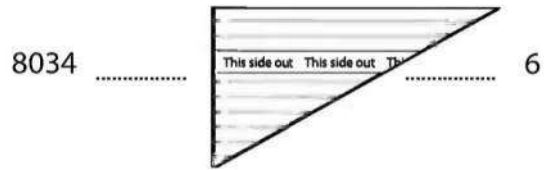
466  8

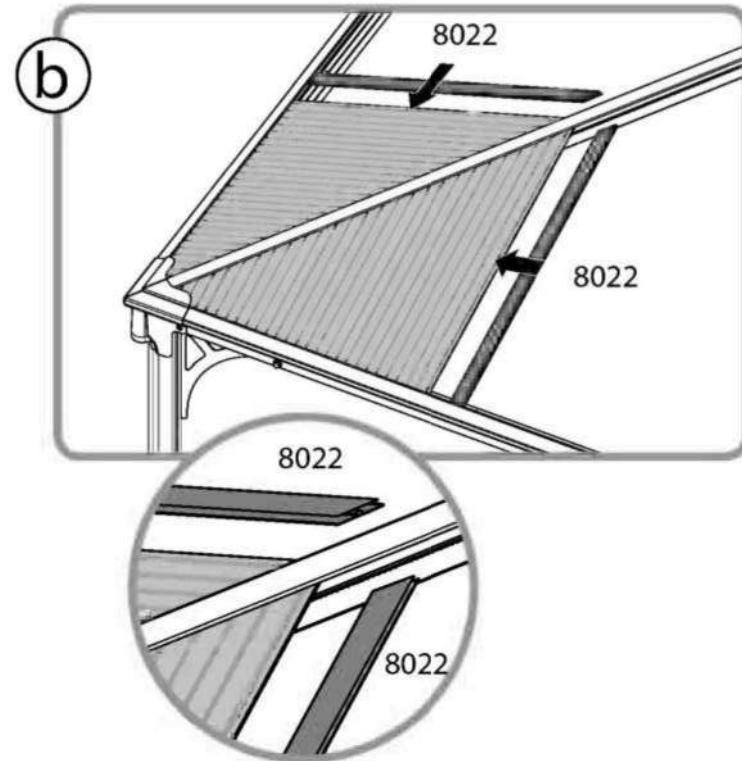
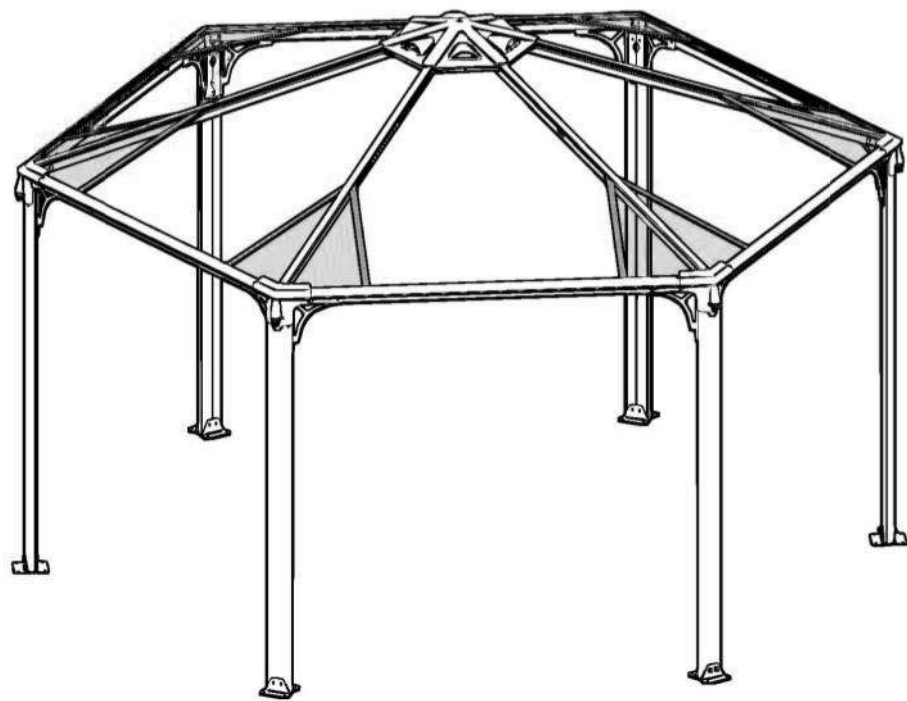
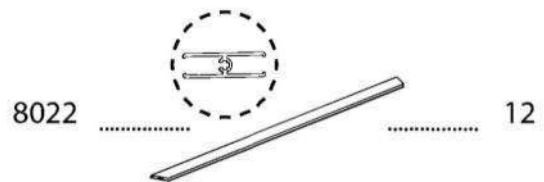


8030 6

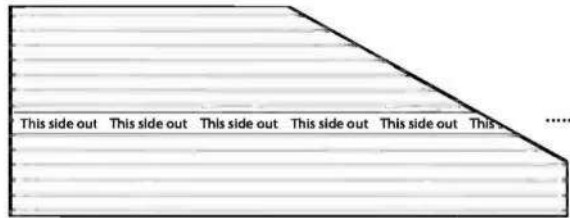






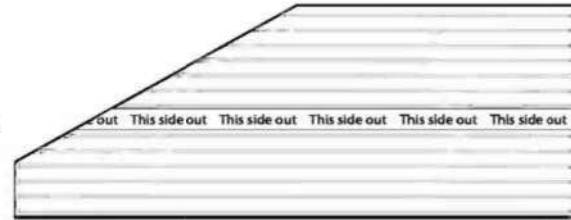


8033

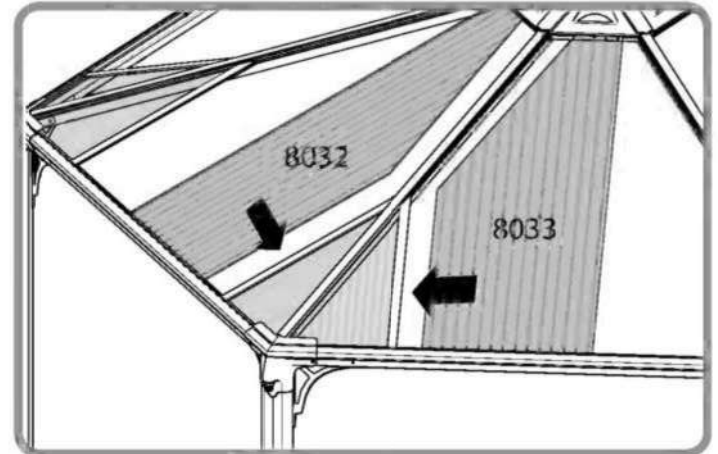


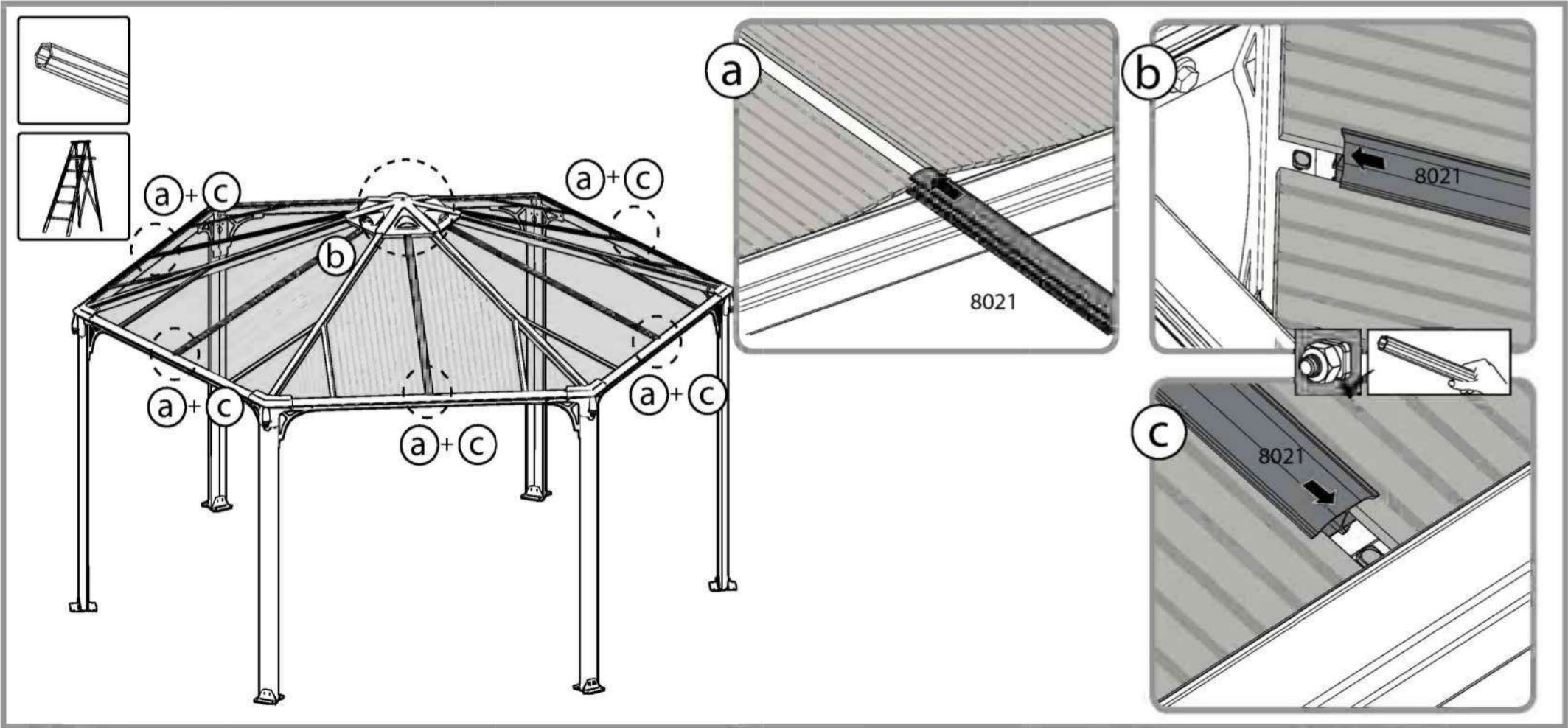
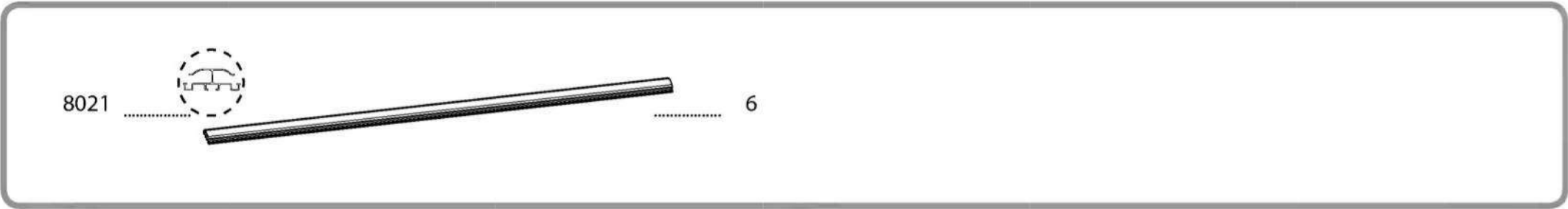
6

8032




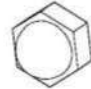
6

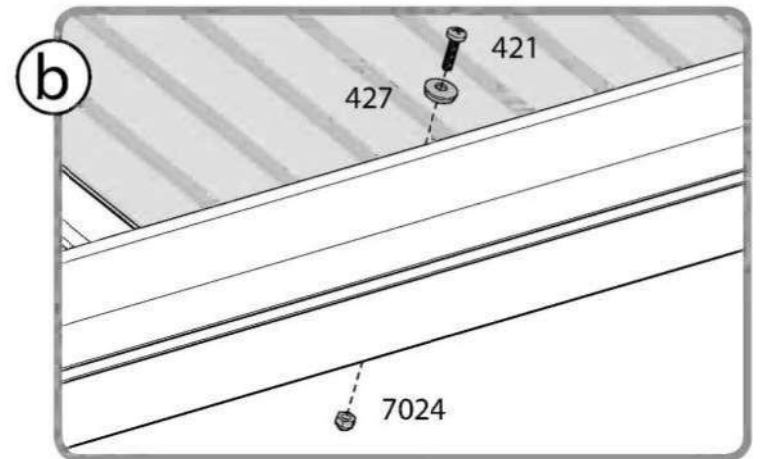
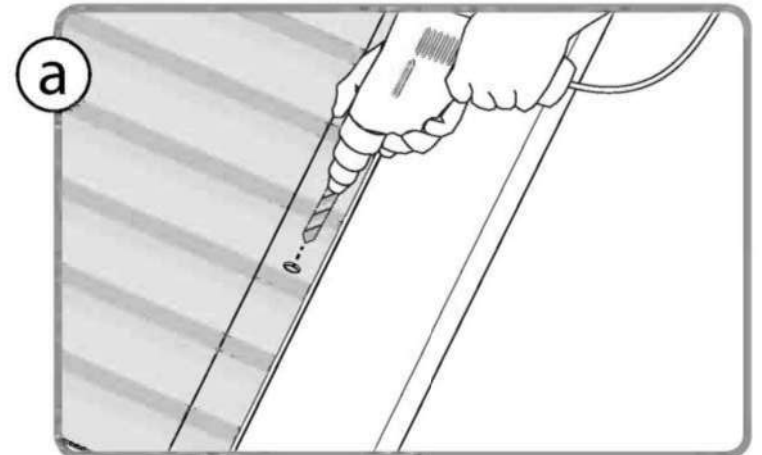
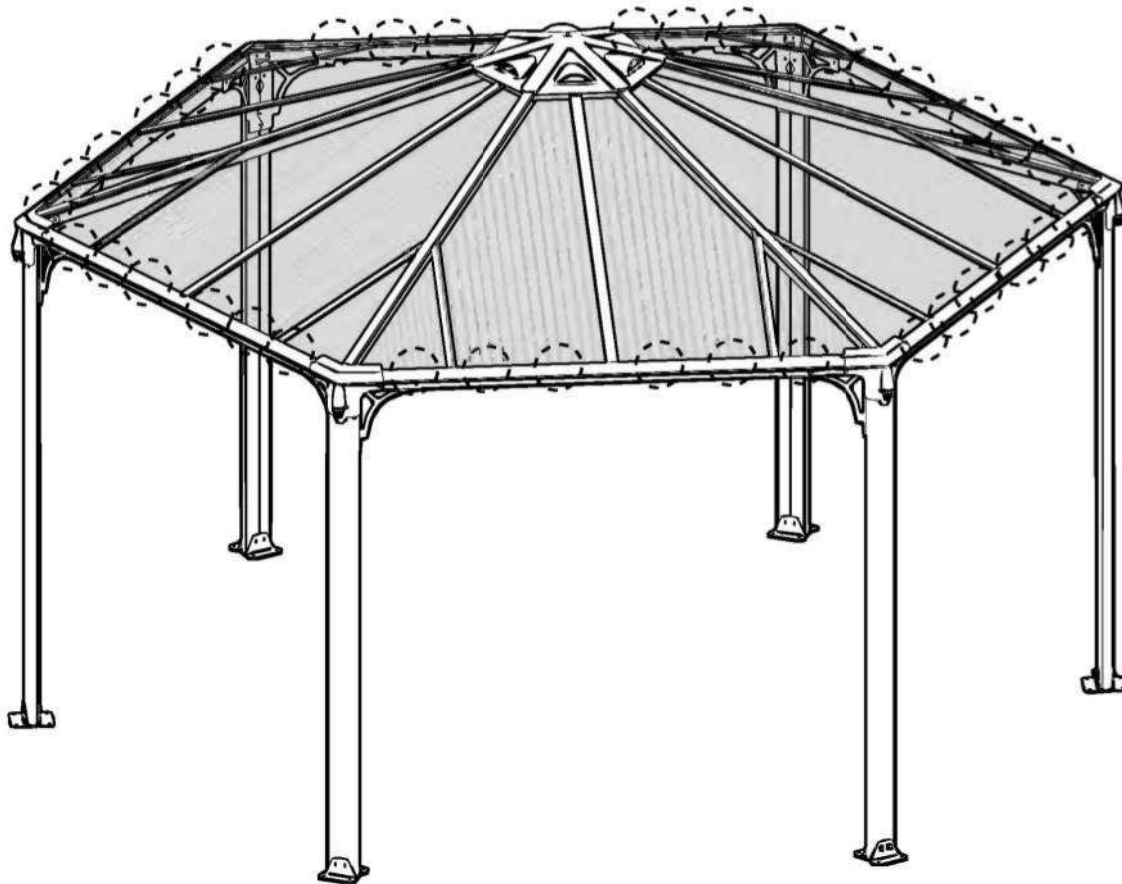
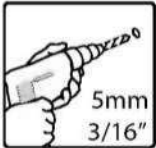




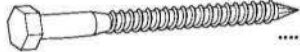
427  36

421  36

7024  36



4000 16



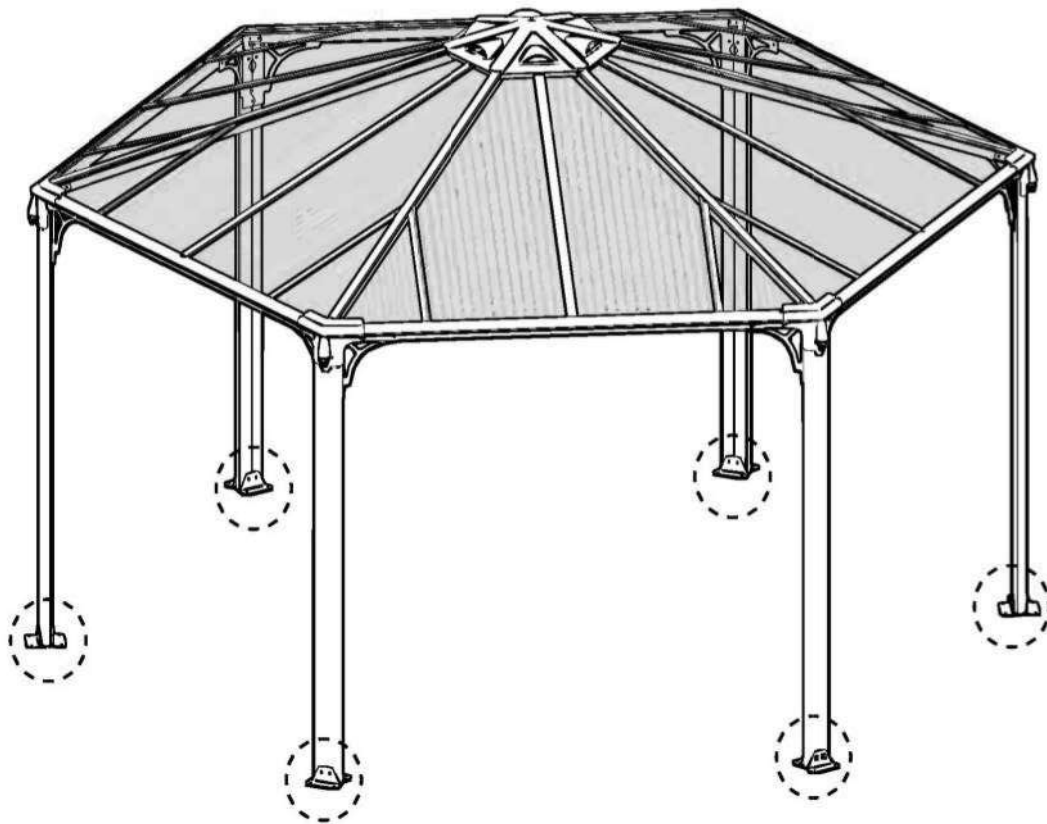
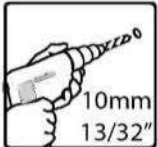
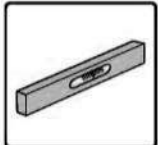
4010 16



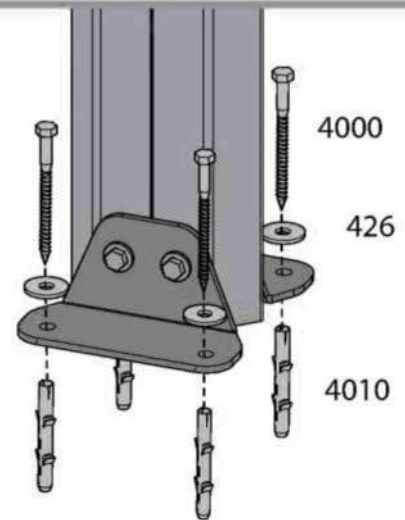
426 16



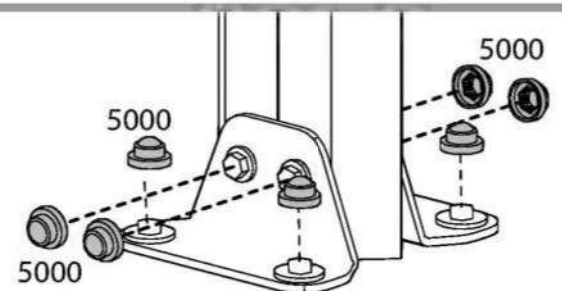
5000 48



a



b



5000  93

5001  26

